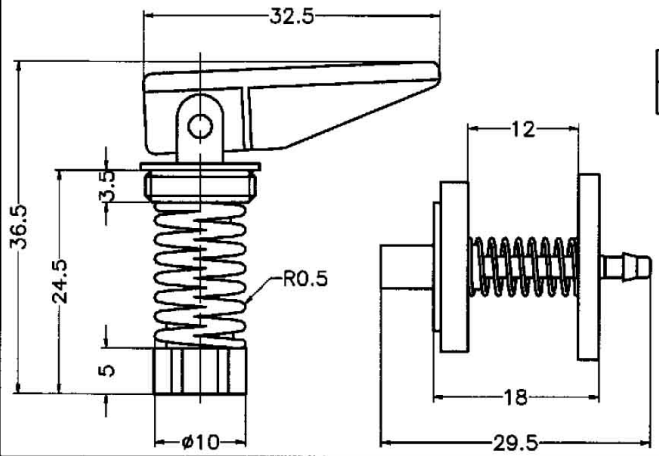
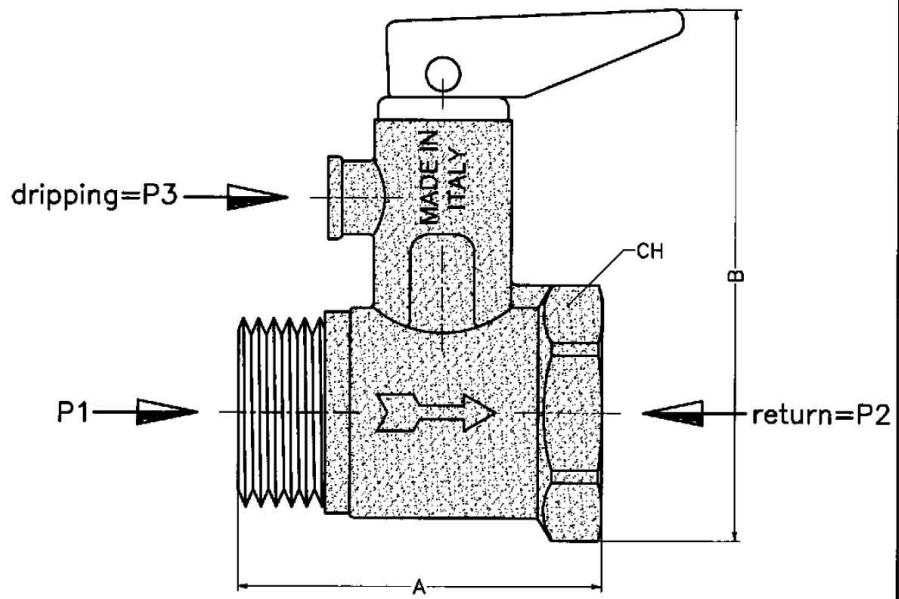
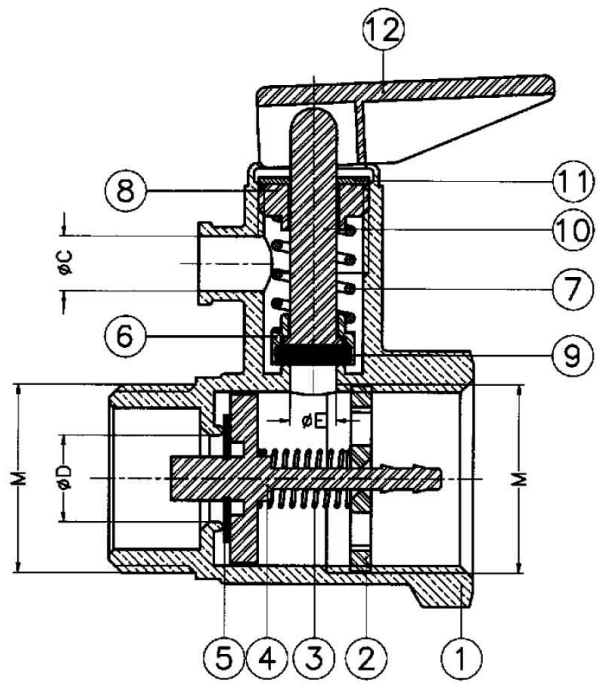


SAFETY VALVE FOR WATER HEATER WITH LEVER 1/2"

TOP ARMATURY



M	A	B	øC	øD	øE	CH
1/2"	53	66	8	10.5	9.25	30

P1 bar	P2 bar	P3 bar
<1	0.8-1.5	8.5±0.5

POS	DESCRIPTION	MATERIALS
12	LEVER	NYLON WITH 30% FIBER GLASS
11	WASHER	ALUMINIO
10	PIN FOR LEVER	NYLON WITH 30% FIBER GLASS
9	SEAL	EPDM
8	THREADED CAP	NYLON WITH 30% FIBER GLASS
7	SPRING	STAINLESS STEEL AISI 302
6	SEAL HOLDER	NYLON WITH 30% FIBER GLASS
5	SEAL	EPDM 80
4	CENTRAL PIN	NYLON WITH 30% FIBER GLASS
3	SPRING FOR CHECK	STAINLESS STEEL AISI 302
2	DISK FOR CHECK	NYLON WITH 30% FIBER GLASS
1	BODY	HOT PRESS BRASS CW617N