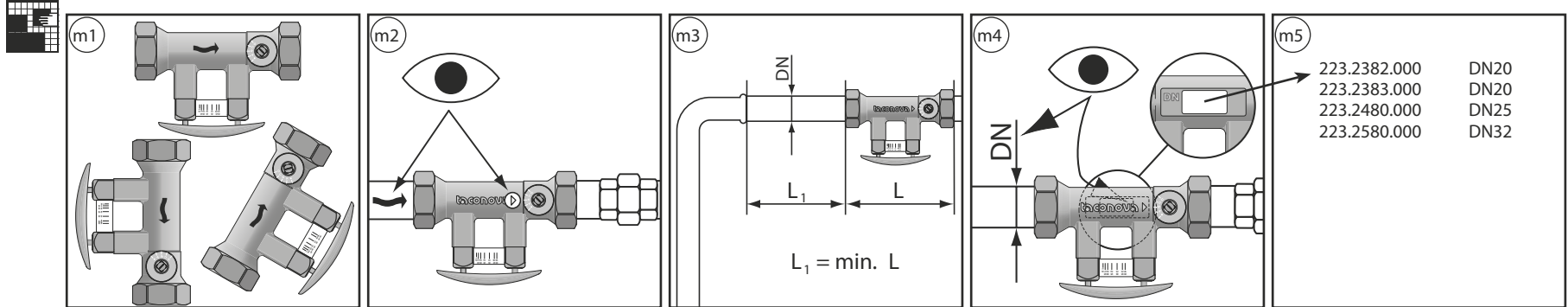


DN	Rp x Rp	L (mm)	
15	1/2" x 1/2"	142	7
20	3/4" x 3/4"	129	7
25	1" x 1"	152	8
32	1 1/4" x 1 1/4"	161	8
40	1 1/2" x 1 1/2"	173	12
50	2" x 2"	197	12

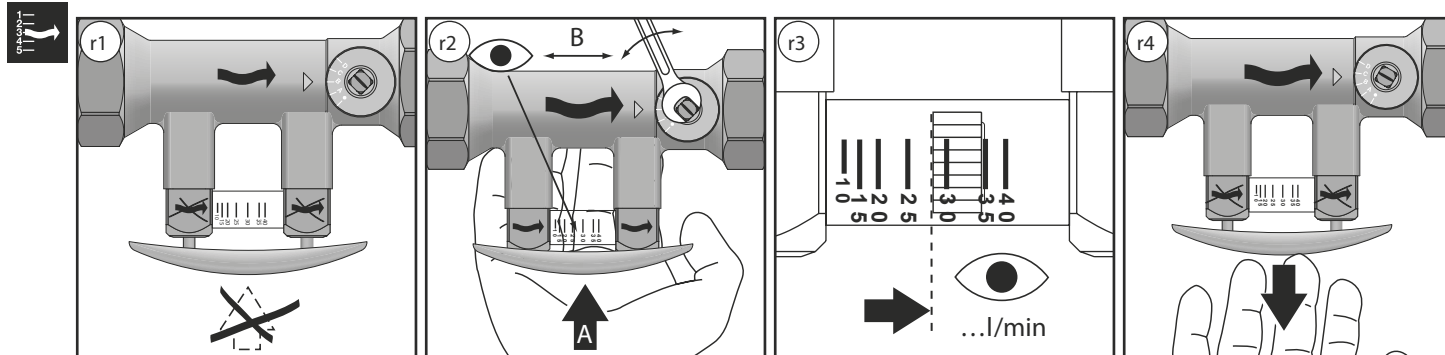


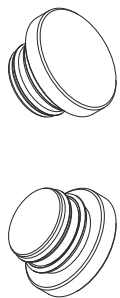
A

TB	185°C	
PB	10 bar	

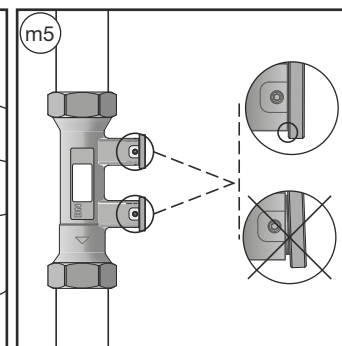
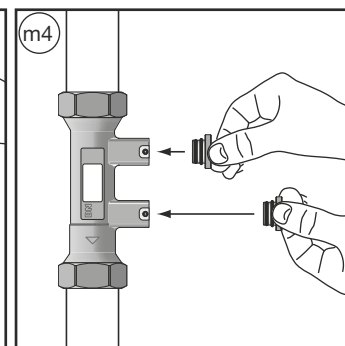
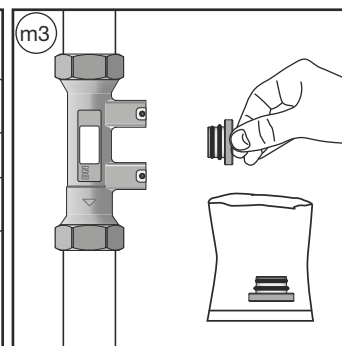
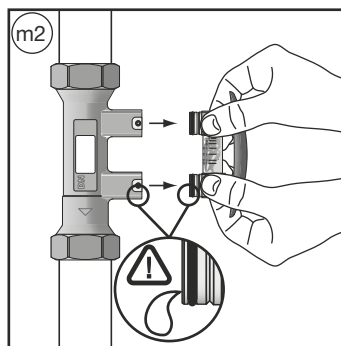
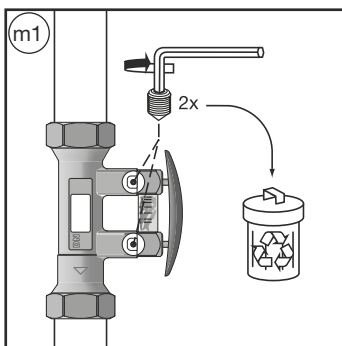
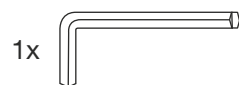
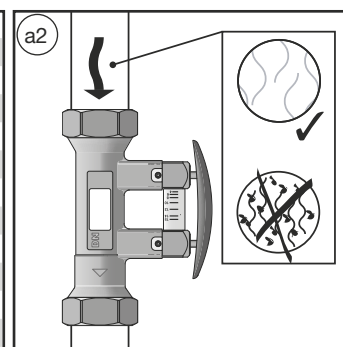
B

TB	130°C	
PB	8 bar	





TacoSetter Bypass	DN	l/min		
223.2382.000	20	2 ... 12	→	296.2340.003
223.2383.000	20	8 ... 30	→	296.2340.003
223.2480.000	25	10 ... 40	→	296.2340.003
223.2580.000	32	20 ... 70	→	296.2340.003



TB 185°C



PB 10 bar



TB 130°C



PB 8 bar

