
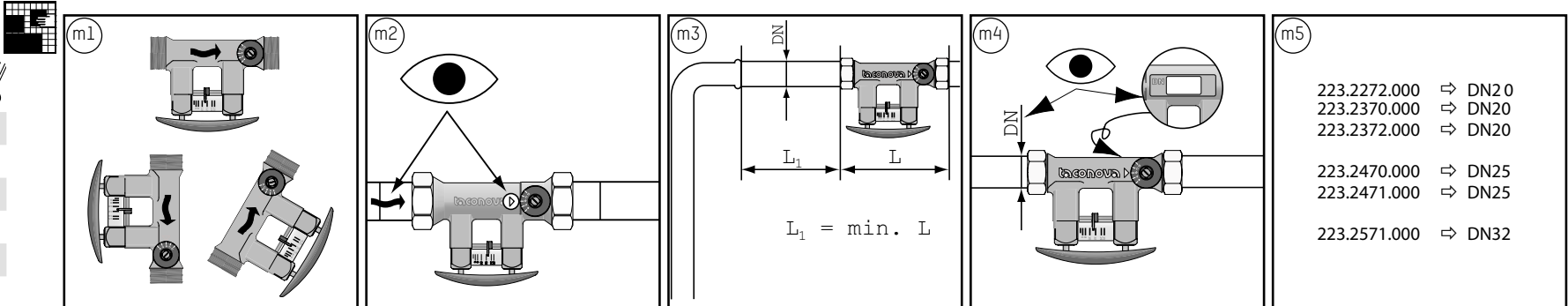
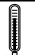


DN	G x G	L (mm)	
20	1" x 1"	129	7
25	1 1/4" x 1 1/4"	152	8
32	1 1/2" x 1 1/2"	161	8
	1 1/4" x 1 1/4"	161	8
	1 1/2" x 1 1/2"	173	12
50	2" x 2"	197	12



- 223.2272.000 ⇨ DN20
- 223.2370.000 ⇨ DN20
- 223.2372.000 ⇨ DN20
  
- 223.2470.000 ⇨ DN25
- 223.2471.000 ⇨ DN25
  
- 223.2571.000 ⇨ DN32

TB	100°C	
PB	10 bar	